



GC

GREER COMPANY®

Consider Yourself Warned.™



Greer Company

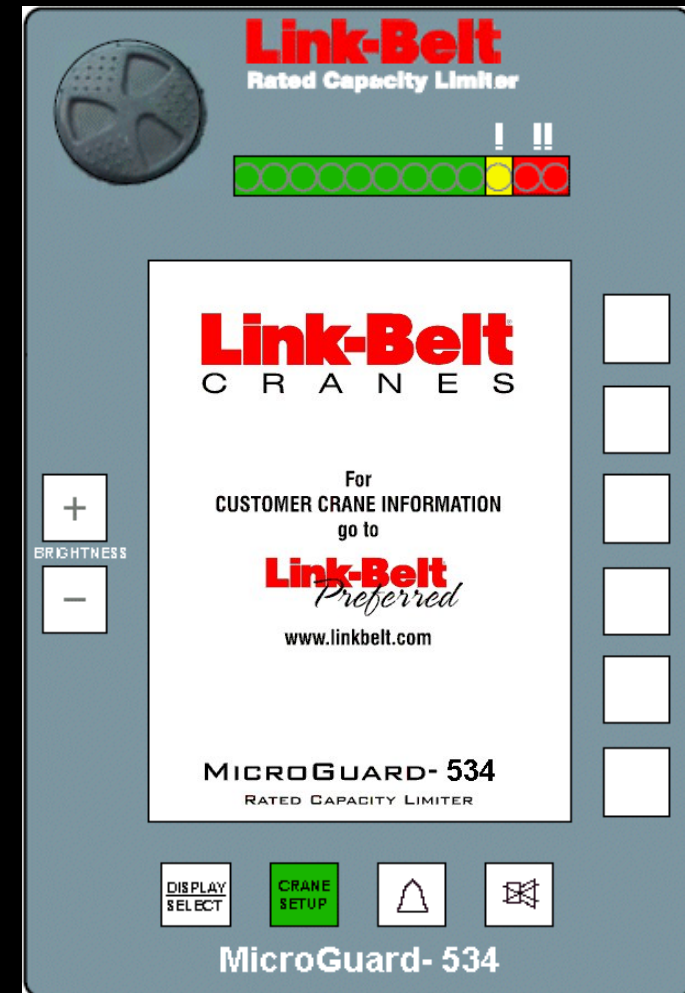
MG534 Display

GC

GREER COMPANY®

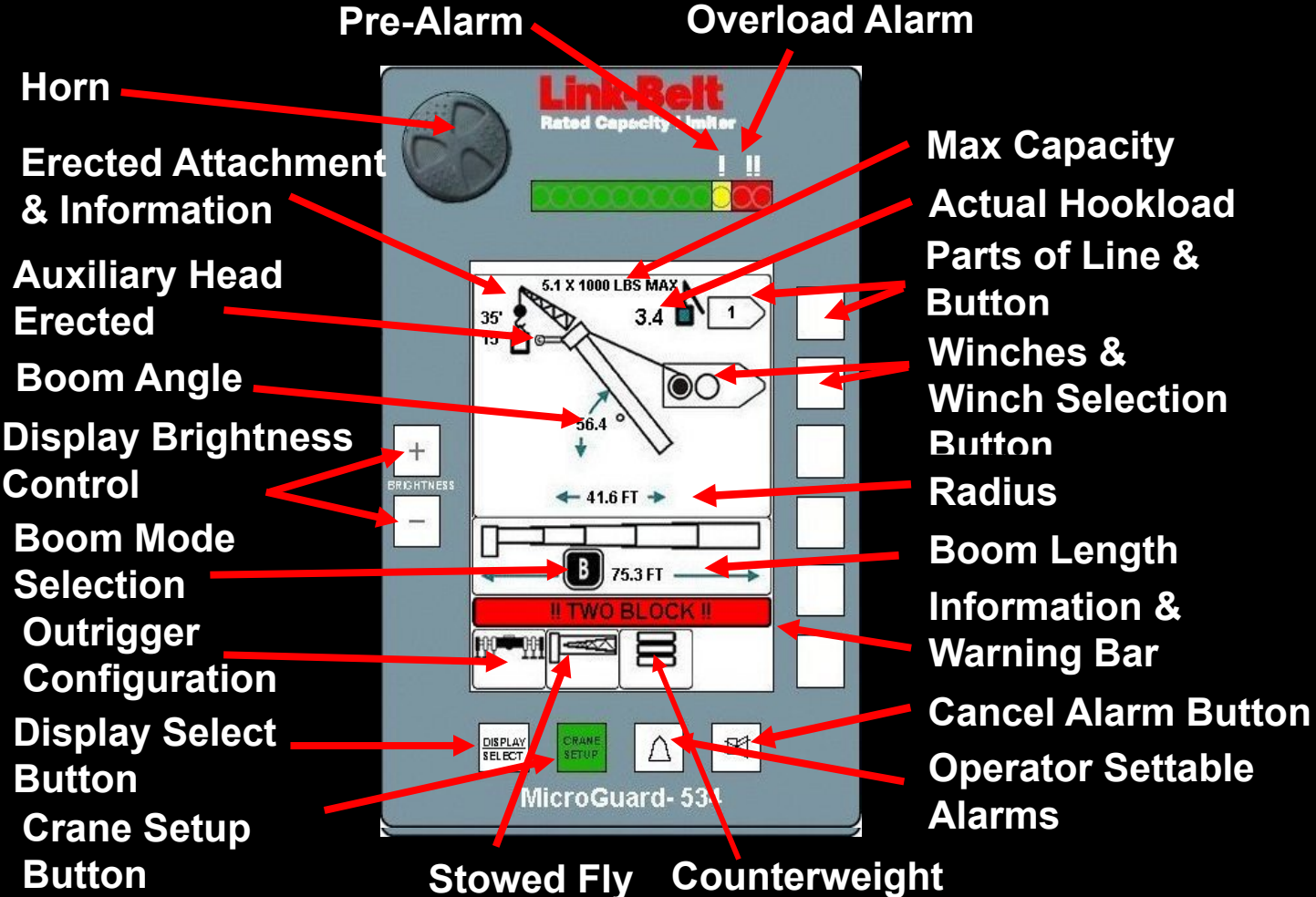
System Self-Test

- On initial startup the LinkBelt Preferred screen will appear briefly, then the system will initiate a self-test which will last approx. 7-10 seconds. Then the system will go to the working screen.





Working Screen Description

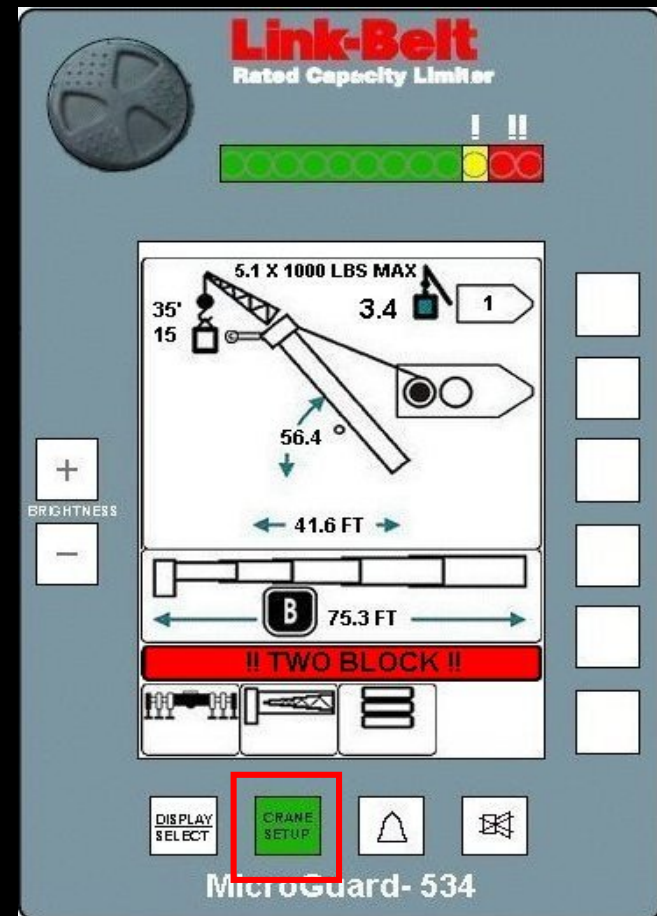


GC

GREER COMPANY®

Crane Setup

- Pressing the Crane Setup button will initiate the setup routine. You must complete the entire routine to properly setup the system.

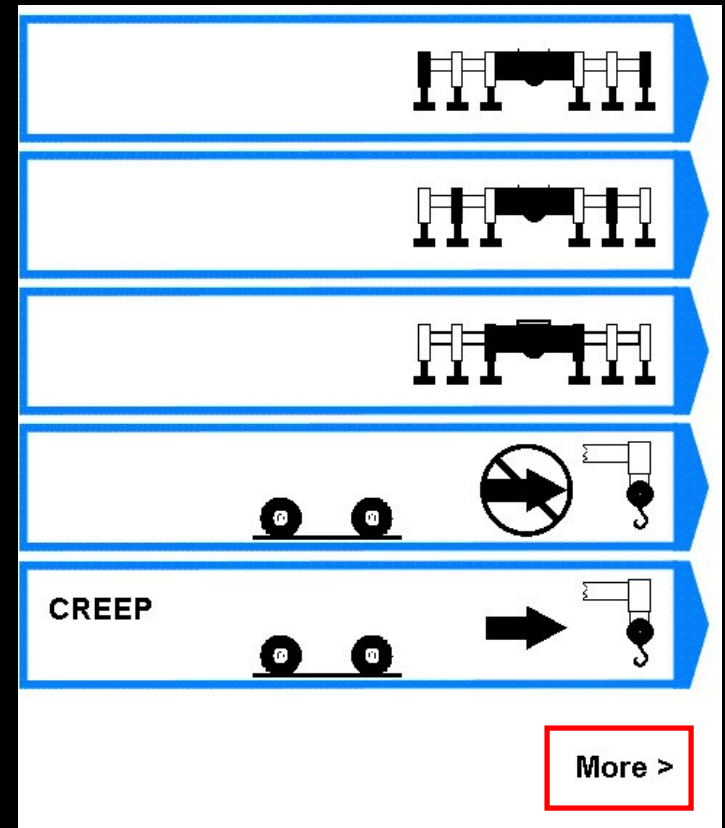




GREER COMPANY®

Outrigger/Tires Selection

- After pressing the Crane Setup button the first selection will be for outrigger/tire/rigging selection.
- Pressing “More” will take you to the next selection screen. Pressing it again will return you to the first screen.



GC

GREER COMPANY®

Counterweight Selection

- The next step is to select counterweight options.
- If your machine has no counterweight options this screen will automatically be skipped.

0



12



24

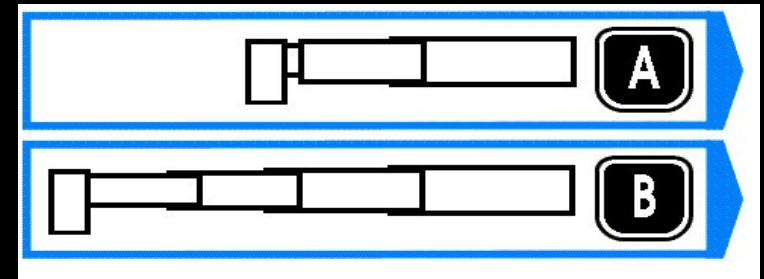


GC

GREER COMPANY®

Boom Mode Selection

- The boom must be fully retracted in order to change boom modes.
- If the boom is not fully retracted then this screen will be skipped.

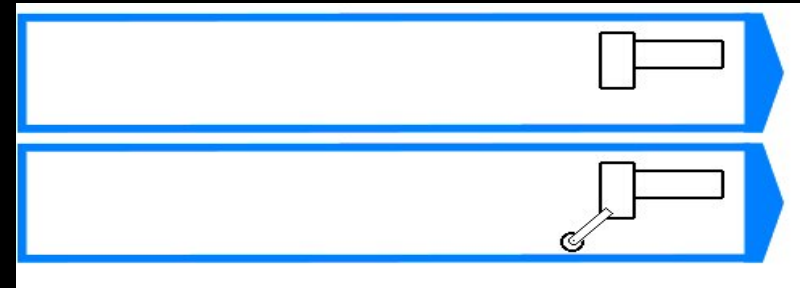


GC

GREER COMPANY®

Auxiliary Head Selection

- **Select whether the Auxiliary Head is or is not installed on the machine**

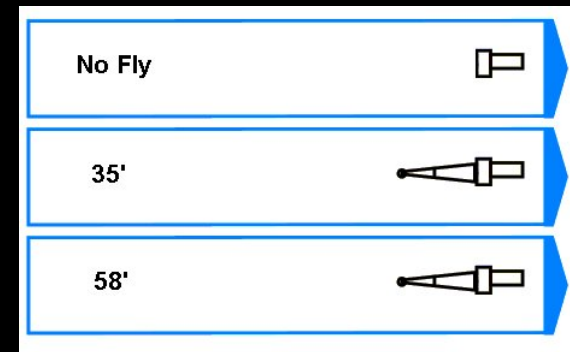


GC

GREER COMPANY®

Fly Selection

- **Select whether there is or is not a fly erected on the machine.**
- **If there is a fly selected the next screen will ask for the offset angle of the fly.**

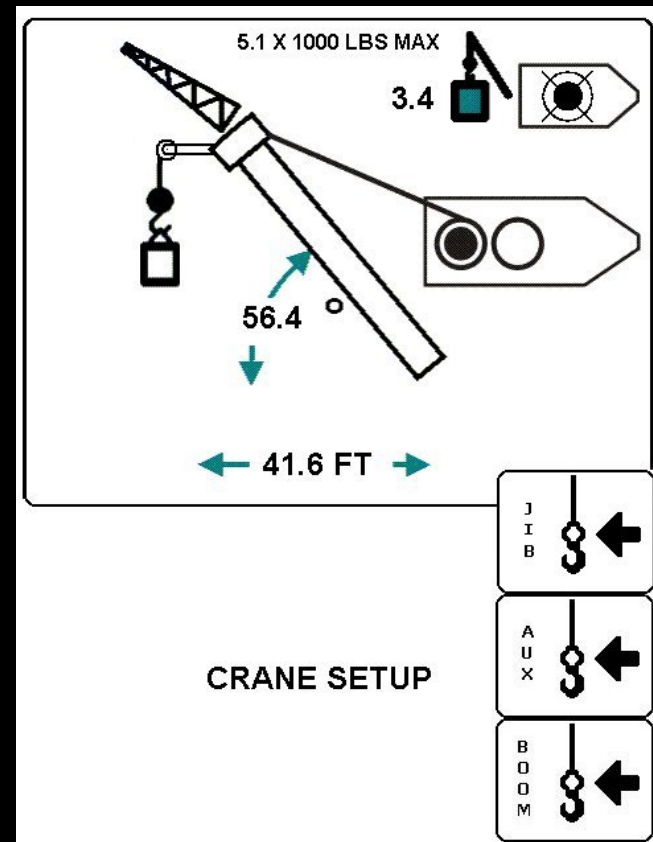


GC

GREER COMPANY®

Front Winch Pick Point

- **Select the appropriate pick point (Main Boom, Aux, Fly or Not Used) for the rear winch.**
- **Once the selection has been made the screen will automatically go to the next screen.**

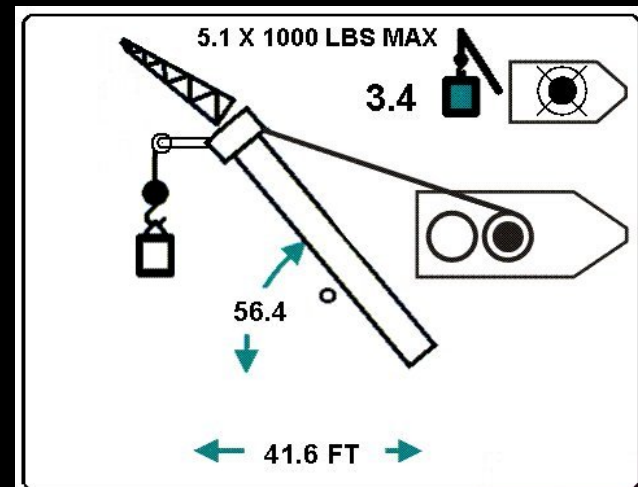




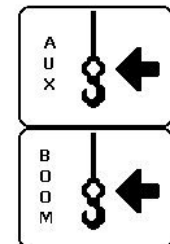
GREER COMPANY®

Rear Winch Pick Point Selection

- Select the appropriate pick point (Main Boom, Aux, Fly or Not Used) for the front winch.
- Notice the one less pick point selection.



CRANE SETUP



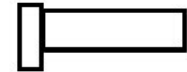
GC

GREER COMPANY®

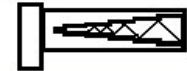
Stowed Fly Selection

- **Select any fly or part of fly stowed on the side of the boom.**

Nothing



23

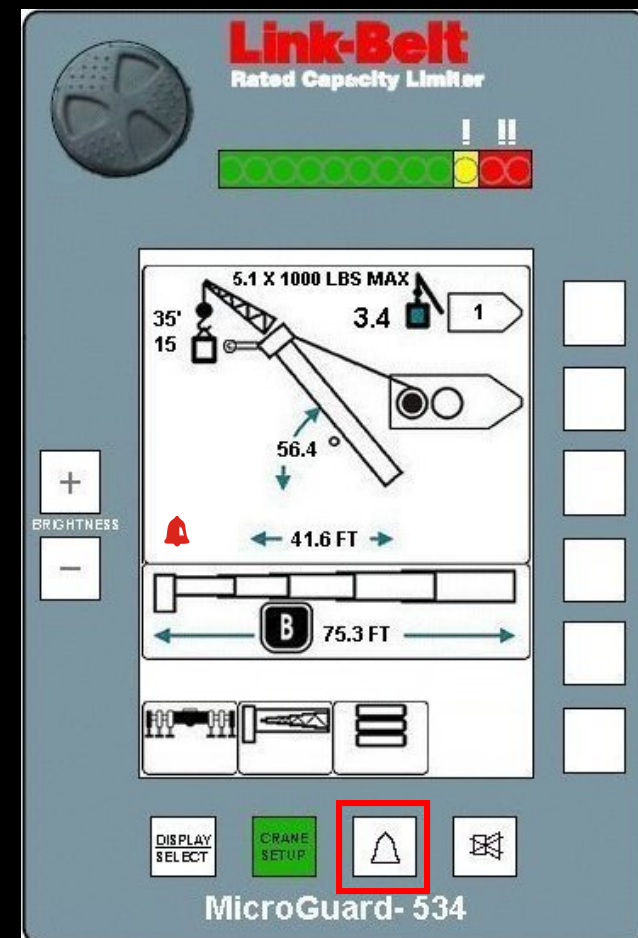


GC

GREER COMPANY®

Operator Settable Alarms

- Whenever an Operator Settable Alarm is set there will be a red bell appear on the display letting you know there is an alarm set.
- Enter the Operator Settable Alarms by pressing the bell button



GC

GREER COMPANY®

Operator Settable Alarms

- **Operator Settable Alarms main selection screen**

EXIT

SETTABLE ALARMS

BOOM LIMITS



SWING LIMITS



AREA LIMITS






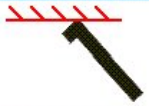
Boom Limits


- Once the machine has been physically moved to the position to set the alarm, press the corresponding alarm button to set. Press again to turn off the alarm.


EXIT

~~MAX~~ Maximum Length 

LENGTH	HEIGHT	ANGLE
55.0	60.0	65.4

~~MAX~~ Maximum Tip Height 

~~MAX~~ Maximum Angle 

~~MIN~~ Minimum Angle 



GC

GREER COMPANY®

Swing Limits

- Once the machine has been physically moved to the position to set the alarm, press the corresponding alarm button to set. Press again to turn off the alarm. *You must set both limits!*

265.0
~~OFF~~
SET



SWING ANGLE
265.0

Set both Alarms

EXIT

OFF
SET

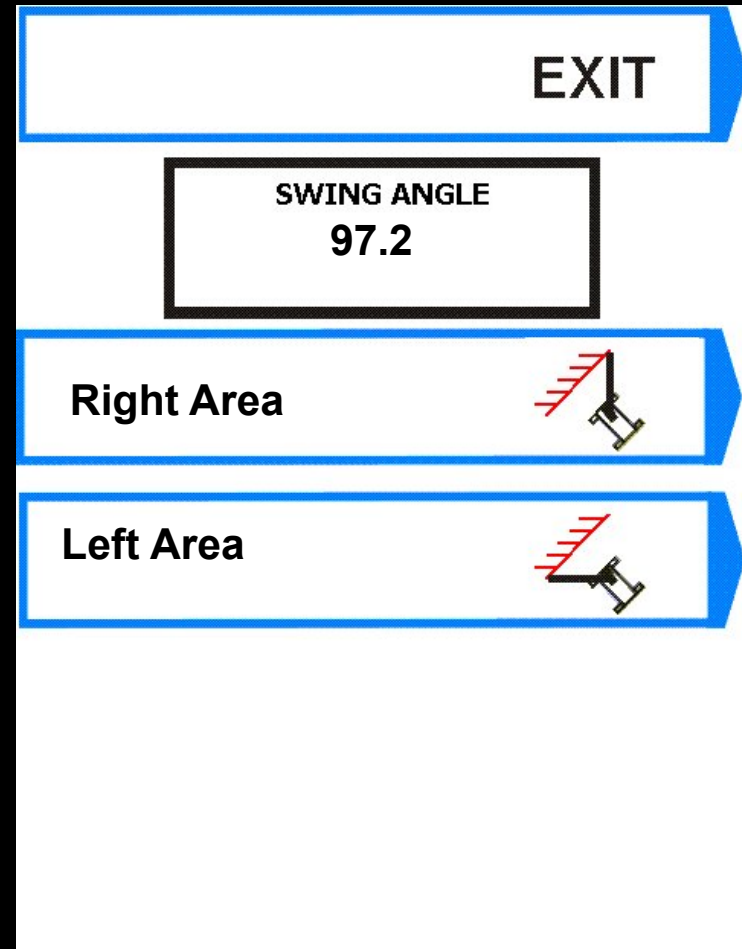




GREER COMPANY®

Defined Area

- Using Length, Angle and Swing set the machine to the desired right or left limit. Then press the corresponding button to set the alarm.
- *You must set both limits!*
- Anytime the boom exceeds the limit by either extending, angle movement or swing the alarm will be sounded.





Calibration & Diagnostics

- Pressing the Display Select button will cause the following screen to be displayed.
- Pressing the button beside the Error Codes button will cause the error codes to be displayed in the white box.
- Pressing the button beside the Enter Calibration will take you to the Calibration Screen and request you input the calibration key sequence.

CALIBRATION AND DIAGNOSTICS

A00 B0 C00 D00

ERROR CODES

ENTER CALIBRATION

Message	Data	Count





Calibration Security Code

Link-Belt
Rated Capacity Limiter

! !!

Load **MicroGuard 534**

9.4 **Calibration**

Angle **Entry Security**

72.0 **Enter Correct**

Radius **Key Sequence**

9.3 FT

Length

38.0

BRIGHTNESS

+

-

1

3

4

2

DISPLAY SELECT

CRANE SETUP

MicroGuard-534

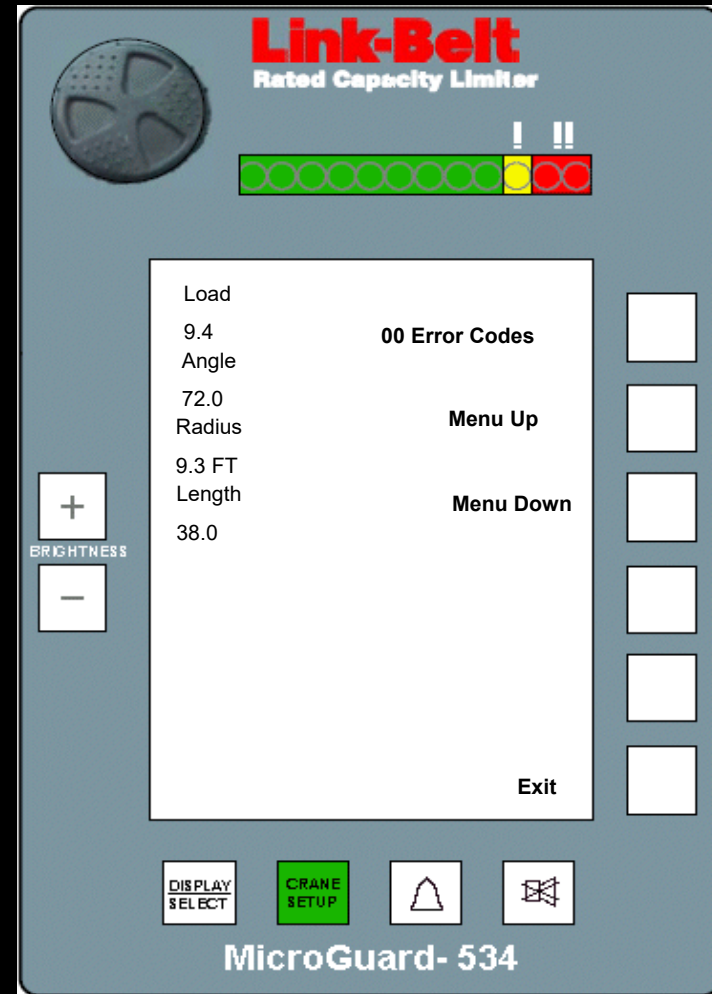




GREER COMPANY®

Calibration Menu

- 00 Error Codes
- 01 Crane Data
- 02 Zero Sensor
- 03 Span Sensor
- 04 Swing Pot
- 05 Radius/Mom
- 06 Boom Defl'n
- 07 Head Angle
- 08 Attachments
- 09 Winches
- 10 Rope Limits
- 11 Alarms
- 12 Digital I/O
- 13 Monitor
- 14
- 15 Pressure





GC

GREER COMPANY®

Consider Yourself Warned.™



Think Safety!!